

Solar Panels - 144MH-535 ~ 550P Series



● Product Features



Half-Cut Technology

New circuit design, lower internal current and lower internal resistance loss



Significantly Avoiding Heat Spot

The unique circuit design to reduce the temperature of heat spot significantly, so that to reduce the power loss and then increase the output of modules.



Lower Cost

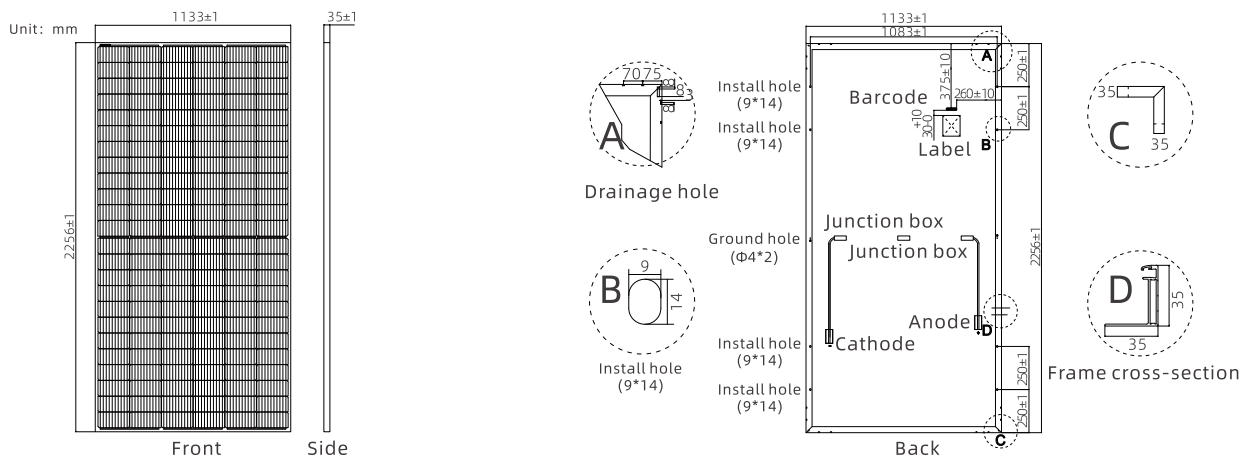
Increasing power generation and reducing the cost per kilowatt-hour



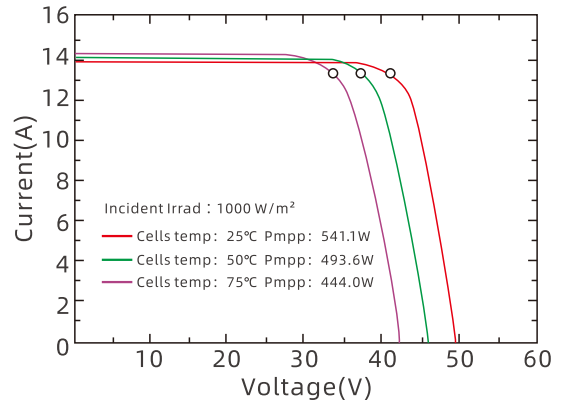
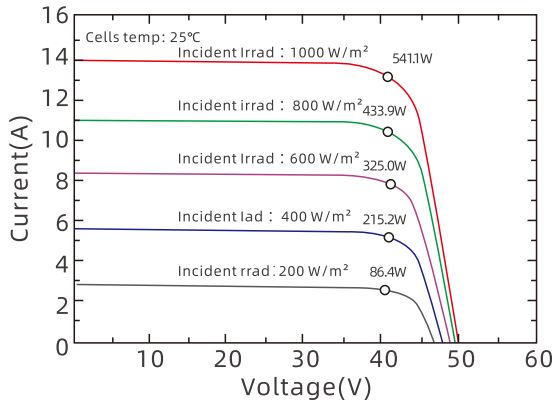
Excellent Performance of PID Resistance

The performance of PID resistance (Potential induced Degradation) passed the standard of TUV Nord.

● PV Drawings



● IV Curve-540W



Model Type	144MH-535P	144MH-540P	144MH-545P	144MH-550P
ELECTRICAL DATA (STC)				
Peak Power/W	535.00	540.00	545.00	550.00
Maximum Power Voltage/V	41.60	41.76	41.93	42.10
Maximum Power Current/A	12.84	12.93	13.00	13.06
Open Circuit Voltage/V	49.50±3%	49.70±3%	49.90±3%	51.10±3%
Short Circuit Current/A	13.61±3%	13.72±3%	13.81±3%	13.90±3%
Module Efficiency/%	20.93	21.12	21.32	21.51
STC: irradiance 1000 W/m ² , AM 1.5, and cell temperature of 25°C				
ELECTRICAL DATA (NOCT)				
Peak Power/W	397.70	401.40	405.10	408.90
Maximum Power Voltage/V	38.62	38.78	38.93	39.09
Maximum Power Current/A	10.30	10.35	10.41	10.46
Open Circuit Voltage/V	46.36±3%	46.54±3%	46.73±3%	46.92±3%
Short Circuit Current/A	10.97±3%	11.05±3%	11.13±3%	11.20±3%
NOCT: irradiance 800 W/m ² , AM 1.5, ambient temperature 20°C, wind speed 1m/s				
TEMPERATURE & MAXIMUM RATING				
Maximum System Voltage	1500V			
Maximum Series Fuse Rating	25A			
Power Tolerance	0 ~ +5W			
Pmax Temperature Coefficients	-0.350%/°C			
Voc Temperature Coefficients	-0.285%/°C			
Isc Temperature Coefficients	+0.045%/°C			
NOCT Nominal Operating Cell Temperature	45±2°C			
Operating And Storage Temperature	-40 ~ +85°C			
MECHANICAL CHARACTERISTICS				
Cell Type	182*91mm/ Mono			
No. of Cells	144 (12*12)			
Dimensions	2256*1133*35mm			
Weight	28.40kg			
Front Glass	3.2mm high transmission tempered glass			
Frame	Anodized Aluminium Alloy			
Junction Box	Ip67/Ip68 3 diodes			
Output Cables	4mm ² *35cm (including MC4 connector)			
Max Wind Load/ Snow Load	2400pa/5400pa			
PACKING WAY				
6.4m Flat Car	310pcs/10 Packages *31 pcs			
9.6m Flat Car	496pcs/16 Packages *31 pcs			
12.5m Flat Car	620pcs/20 Packages *31 pcs			
17.5m Flat Car	868pcs/28 Packages *31 pcs			



• IEC61215 / • IEC61730



Guarantee on product material and workmanship



Liner Power output warranty